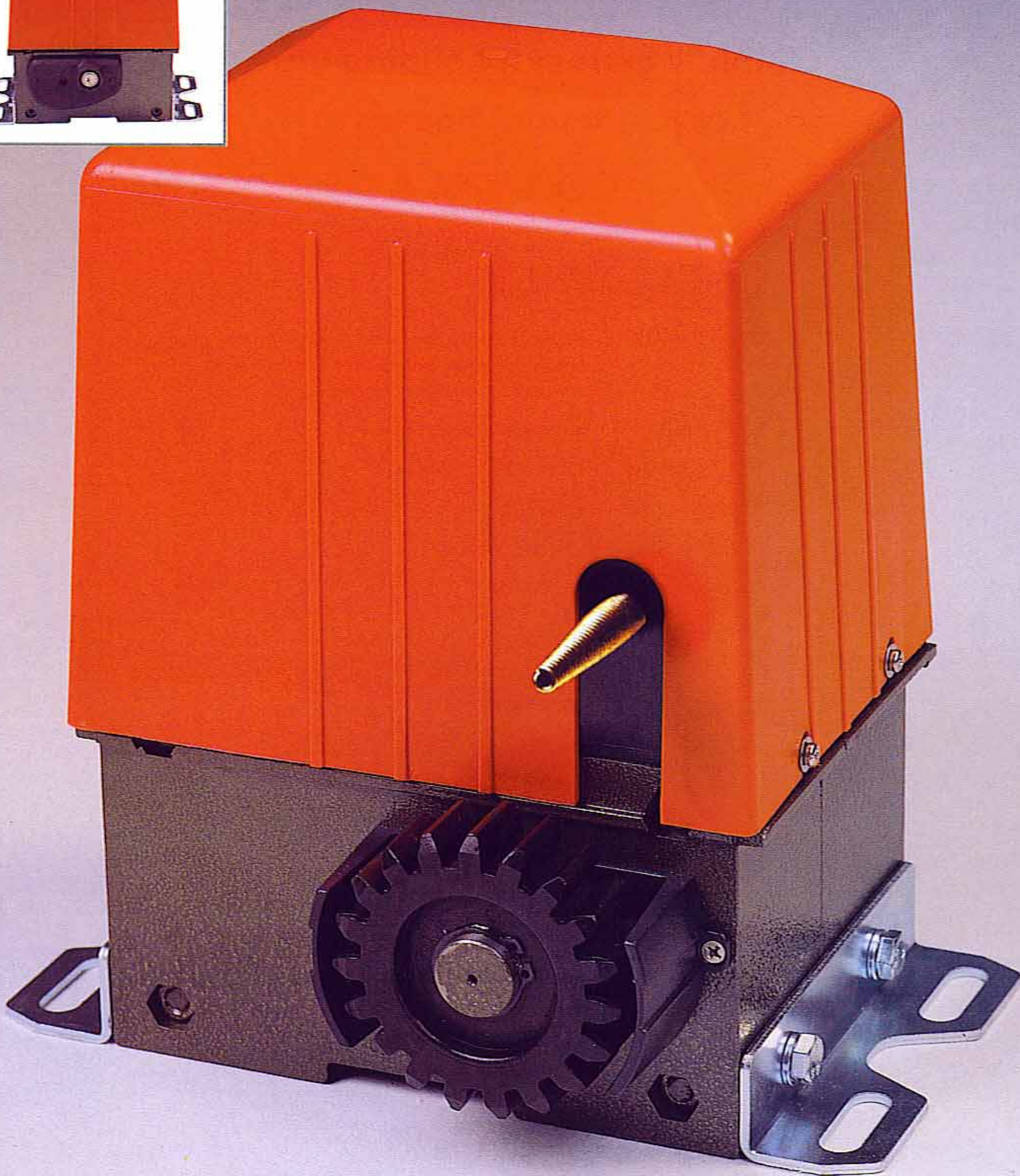
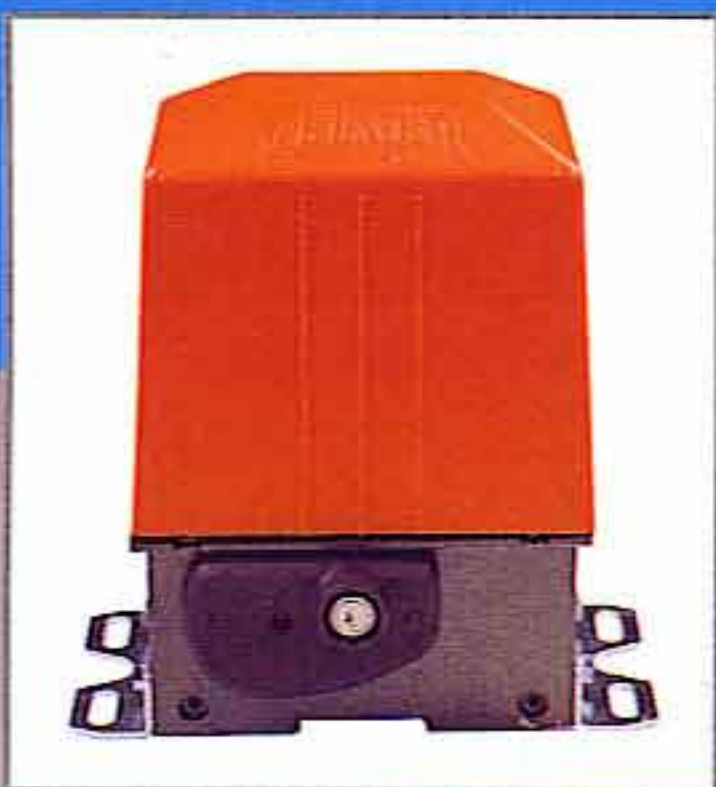


AUTOMATIC SYSTEM FOR
RESIDENTIAL SLIDING GATES

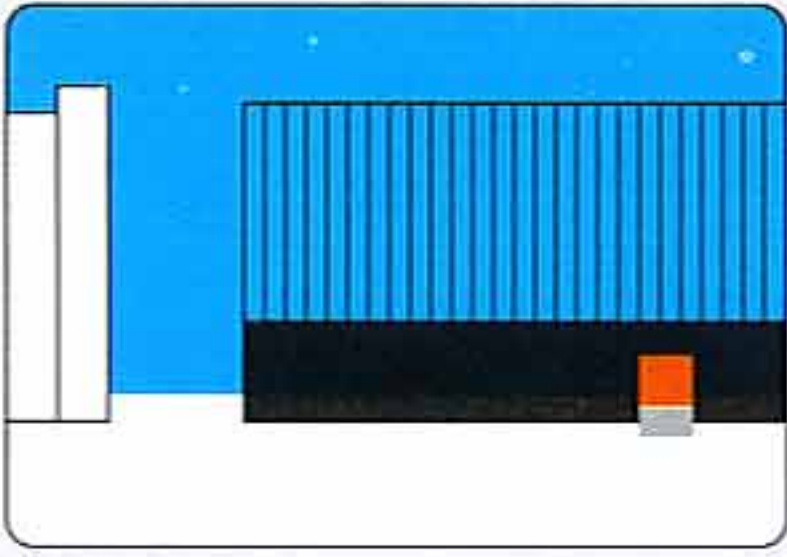
Rack & Pinion Mechanical Driving System

MODEL GR6 & GR6DC



AUTOMAZIONE CANCELLI

CELMER



Sliding gate system
model

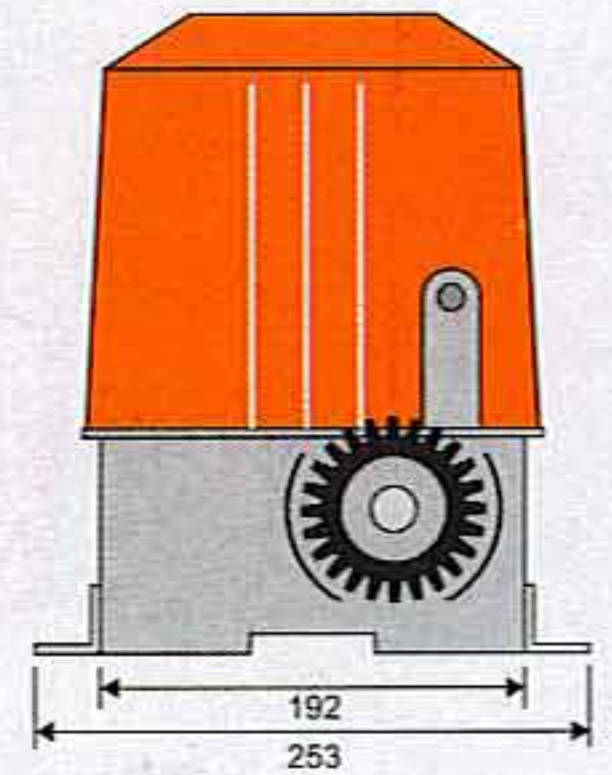
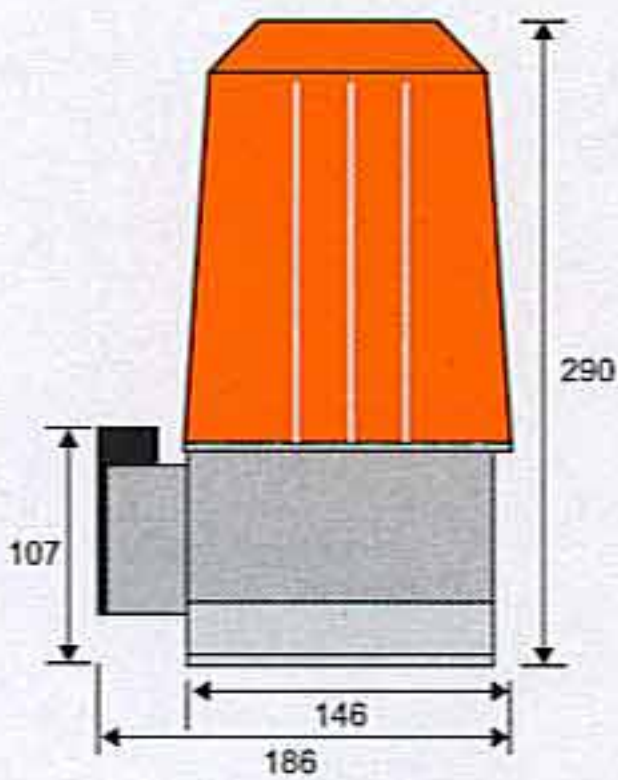
GR6 & GR6DC

Automatic system for sliding gates
of residential houses

MODEL GR6 & GR6DC-24V

TECHNICAL DETAILS

CONFIGURATION	Single phase induction motor couple with worm gear speed reducer with manual override release clutch controlled by electronic circuitary
DRIVING OUTPUT	Rack and pinion gear. Module 4
POWER SUPPLY	AC 240V 50Hz / 24V DC
CURRENT	5A Max
MOTOR R.P.M.	AC 1400 / 4200 DC
DUTY	50 cycle / hour
CAPACITY	600 kg. Max.
VELOCITY	10m/min.(GR6) & 15.5m/min. GR6DC (24V DC)
WORKING TEMP.	-20C + 80C
LUBRICATION	Grease type (non oil bath)
SAFETY DEVICE	Electronic clutch for anti-crushing



More features for model GR6DC

- Dual speed motor: reduce to ultra low speed while reaching the ends
- Photo sensing illumination control extended with delay timer
- Preset opening limit for passer-by person
- Auto reverse anti-crushing safety feature

Optional Accessories

- Single or multi functions remote controller
- Bar coded card access control
- Digital keypad access control
- Active infrared beam safety device
- Xenon strobe warning light
- Centralized control network (security system)



CELMER 123-7535-7863 ITY

Data in this catalogue are indicative. Celmer reserves the right to make modifications to ameliorate products without prior notice. In order to meet regulations in force and/or market requirements in each single country, the products offered can be different from those indicated in this catalogue.