

RDS

RAGGIO DEL SOLE



RAGGIO DEL SOLE RDS 9 ITALY TECHNOLOGY

Raggio Del Sole RDS 9 is manufactured using high quality stainless steel with state-of-the-art technology. It is powerful, reliable, safety and flood-resistant. Now, you can be satisfied with its excellent performance and enjoy the convenience brought to you by Raggio Del Sole RDS 9.

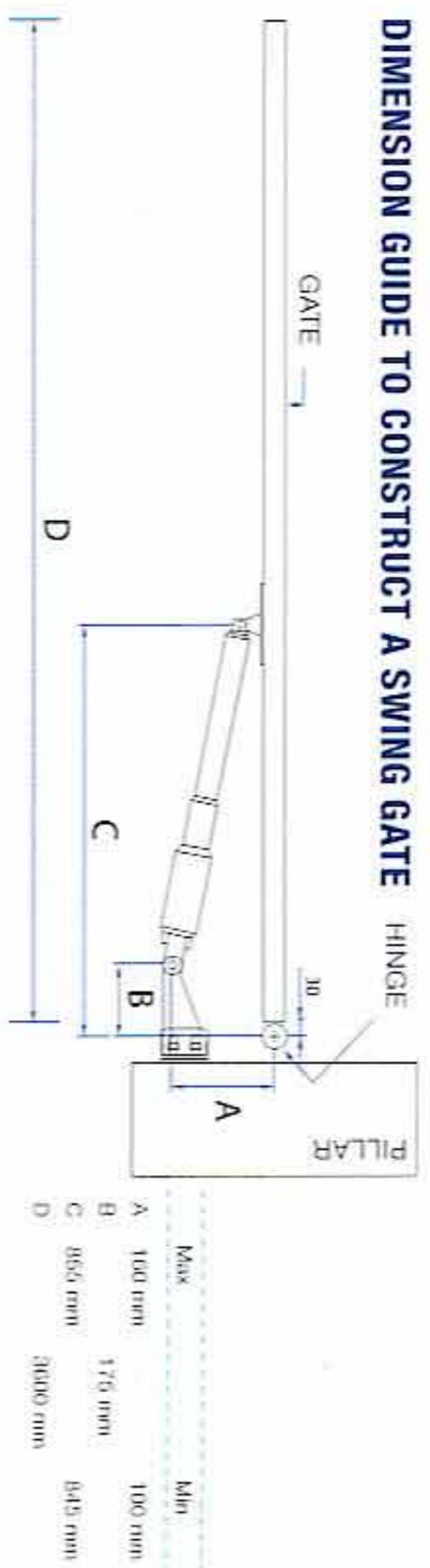


TECHNICAL SPECIFICATIONS

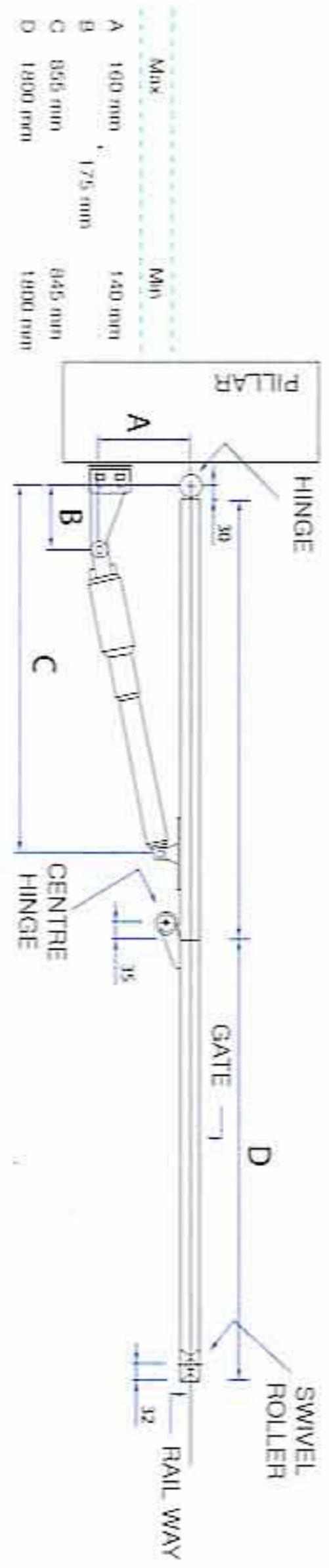
- Driving method ▶ Screw driven piston type
- Operating voltage ▶ DC24V for normal speed
DC12V for cushioning speed
- Max. output power 80W per driver
- Max. piston stroke 31cm
- Max. piston speed 2.2cm/sec.
- Operating cycle 14 Second per 90°(approx)
- Max. weight of gate 300kg per wing
- Max. length of gate 3.6 Meter per wing
- Position limit device Electronic fuzzy logic
- Gearbox Rotary planetary reducer
- Safety clutch Electronic current sensing
- Backup battery 12V 7AH
- Main supply AC230V, 50Hz
- Electronic controller Microcomputer based
- Remote controller UHF digital PWM type
- Temperature 0°to+80°C

Authorised Dealer:

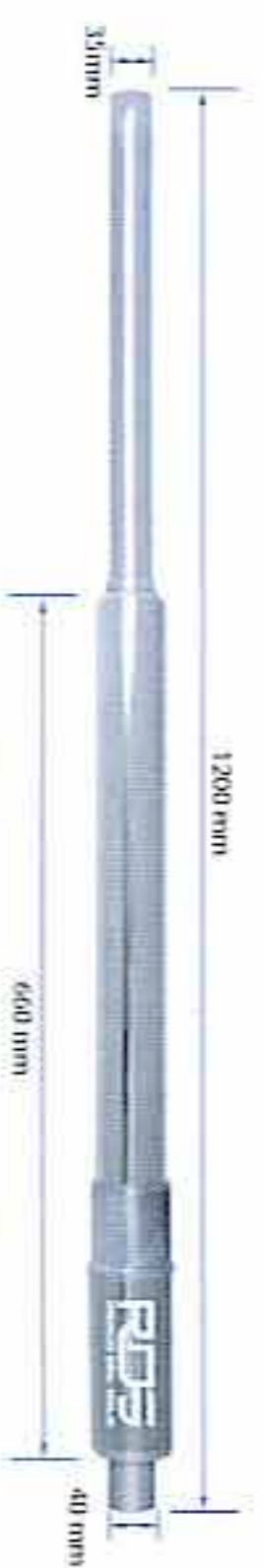
DIMENSION GUIDE TO CONSTRUCT A SWING GATE



DIMENSION GUIDE TO CONSTRUCT A FOLDING GATE



DIMENSION OF THE ACTUATOR ARM



**RAGGIO DEL SOLLE RDS 9
ITALY TECHNOLOGY**

